

# BCH8 Modular Contactor

## Application

The breadth of the BCH8 contactor range satisfies the most application cases. BCH8 contactors can be combined with auxiliary control, protection and indication functions. The contactors are produced according to IEC61095(GB/T17885).

BCH8 contactors can be used to remote control applications in alternative networks:

- lighting, heating, ventilation, roller blinds, sanitary hot water
- mechanical ventilation systems, etc

## Specification

BCH8 contactors are available in two versions:

- Contactors without manually-operated
- Contactors with manually-operated.

F

BCH8-25 2P



BCH8-25 4P



BCH8-63 2P



BCH8-63 4P



BCH8-100 2P



BCH8-100 4P



BCH8-25M 2P



BCH8-25M 4P



BCH8-63M 2P



BCH8-63M 4P

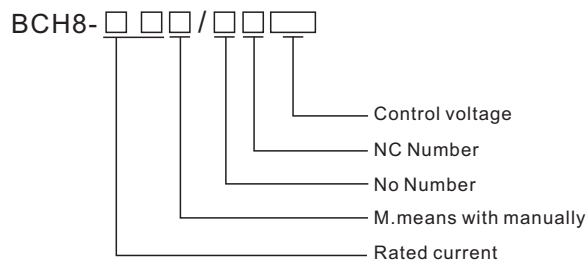


**BACTs**

**Indication**

- This auxiliary allows indication or control of the "open" or "closed" position of the contactor power contacts

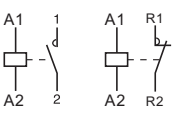
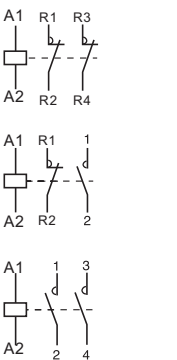
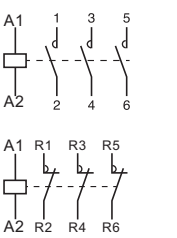
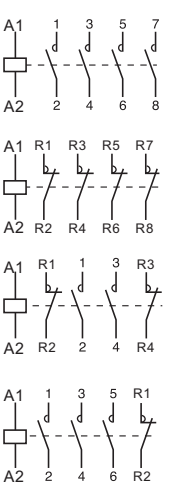
## Model and meaning



# BCH8

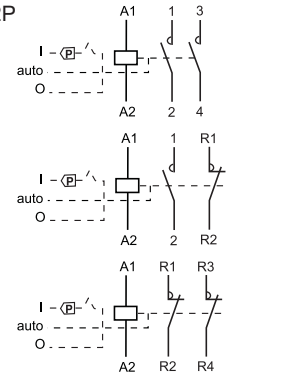
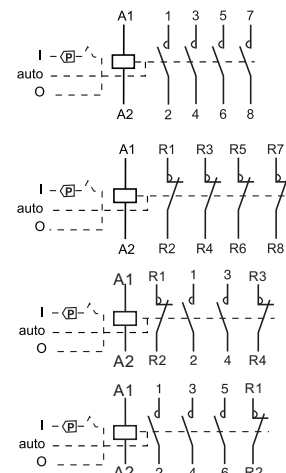
## Modular Contactor

**Specification BCH8 contactor-50Hz**

Type	Rating(In)		Control voltage (V AC)(50/60Hz)	Contact	Width in 9 mm modules	
	AC-7a	AC-7b				
1P 	16A	6A	24	1NO	2	
	20A	7A	110			
	25A	9A	230	1NC		
2P 	16A	6A	24	2NO	2	
	20A	7A	110	1NO+1NC		
	25A	9A	230	2NC		
		32A	12A	24	2NO	4
		40A	18A	110	1NO+1NC	
		63A	25A	230	2NC	
		100A	-	24	2NO	6
				110		
				230		
	3P 	16A	6A	24	3NO	4
		20A	7A	110		
		25A	9A	230	3NC	
		32A	12A	24	3NO	6
		40A	18A	110		
		63A	25A	230	3NC	
4P 		16A	6A	24	4NO	4
		20A	7A	110	4NC	
		25A	9A	230	2NO+2NC	
		32A	12A	24	3NO+1NC	6
		40A	18A	110	4NO	
		63A	25A	230	4NC	
		100A	-	24	2NO+2NC	6
				110	3NO+1NC	
				230		
		100A	-	24	4NO	12
				110		
				230		

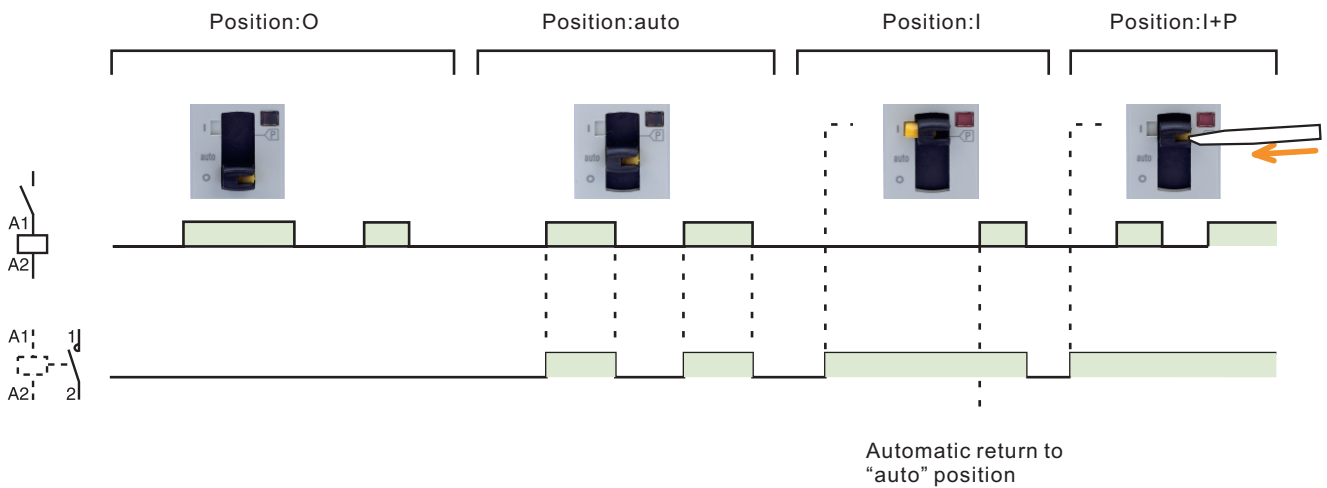
# BCH8 Modular Contactor

## Specification BCH8 manual contactor-50Hz

Type	Rating(In)		Control voltage (V AC)(50/60Hz)	Contact	Width in 9 mm modules
	AC-7a	AC-7b			
 <p>2P</p>	16A	6A	24	2NO	2
	20A	7A	110	1NO+1NC	
	25A	9A	230	2NC	
	32A	12A	24	2NO	4
	40A	18A	110	1NO+1NC	
	63A	25A	230	2NC	
 <p>4P</p>	16A	6A	24	4NO	4
	20A	7A	110	4NC	
	25A	9A	230	2NO+2NC	4
				3NO+1NC	
	32A	12A	24	4NO	6
	40A	18A	110	4NC	
			230	2NO+2NC	
	63A	25A		3NO+1NC	

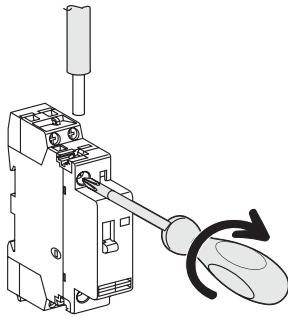
F

## Operation(Manual control contactor)



# BCH8 Modular Contactor

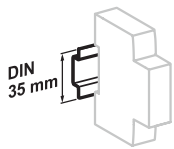
### Connection



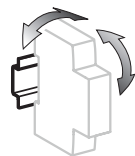
Type	Rating	Length stripping	Circuit	Tightening torque	Copper cables		
					Rigid	Flexible or ferrule	
BCH8	PZ1:4mm	16-100A	9mm	Control	0.8N.m	1.5~2.5mm <sup>2</sup> 2×1.5mm <sup>2</sup>	1.5~2.5mm <sup>2</sup> 2×2.5mm <sup>2</sup>
		16-25A				1.5~6mm <sup>2</sup>	1~4mm <sup>2</sup>
	PZ2:6mm	40A-63A	14mm	Power	3.5N.m	6~25mm <sup>2</sup>	6~16mm <sup>2</sup>
		100A				6~3.5mm <sup>2</sup>	6~35mm <sup>2</sup>
BACTs	PZ1:4mm	-	9mm	-	0.8N.m	1.5~2.5mm <sup>2</sup> 2×1.5mm <sup>2</sup>	1.5~2.5mm <sup>2</sup> 2×2.5mm <sup>2</sup>

### Technical data

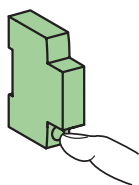
Power circuit		
Rated Voltage(Ue)	1P,2P	250V AC
	3P,4P	400V AC
Frequency	50/60Hz	
Endurance(O-C)		
Electrical	100,000 cycles	
Maximum number of switching operation a day	100 cycles	
Additional characteristics		
Insulation voltage(Ui)	500 V AC	
Pollution degree	2	
Rated impulse withstand voltage(Uimp)	2.5kV(4kV@ 12/24/48VAC)	
Degree of protection (IEC 60529)	Device only	IP20
	Device installed in distribution box	IP40
Operating temperature	-5°C~+60°C	
Storage temperature	-40°C~+70°C	
Tropicalization(IEC 60068-1)	Treatment 2 ( relative humidity 95% at 55°C )	



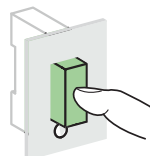
DIN rail 35 mm.



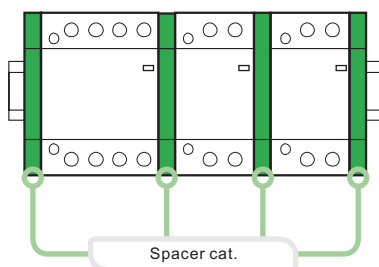
±30° vertical



IP20



IP40



ELSV compliance(Extra Low Safety Voltage)for 12/24/48vac versions

The product control conforms to the SELV(safety extra low voltage)requirements

(1) When the contactor mounted in distribution box which the interior temperature is between 50°C to 60°C, it is necessary to use a spacer between each contactor.

# BCH8 Modular Contactor

## Consumption BCH8 contactors-50Hz

Type	Rating(In)		Control voltage (VAC)(50/60 Hz)	Consumption		Max. power
	AC-7a	AC-7b		Holding	Inrush	
1P	25A	9A	230...240	2.7VA	9.2VA	1.2W
2P	16A	6A	230...240	2.7VA	9.2VA	1.2W
	20A	7A	230...240	2.7VA	9.2VA	1.2W
	25A	9A	24	3.8VA	15VA	1.3W
			230...240	2.7VA	9.2VA	1.2W
	40A	18A	220...240	4.6VA	34VA	1.6W
	63A	25A	220...240	4.6VA	34VA	1.6W
	100A	-	220...240	6.5VA	53VA	2.1W
3P	25A	9A	220...240	4.6VA	34VA	1.6W
	40A	18A	220...240	6.5VA	53VA	2.1W
	63A	25A	220...240	6.5VA	53VA	2.1W
4P	16A	6A	220...240	4.6VA	34VA	1.6W
	25A	9A	24	4.6VA	34VA	1.6W
			220...240	4.6VA	34VA	1.6W
	32A	12A	220...240	6.5VA	53VA	2.1W
	40A	18A	220...240	6.5VA	53VA	2.1W
	63A	25A	220...240	6.5VA	53VA	2.1W
	100A	-	220...240	13VA	106VA	4.2W

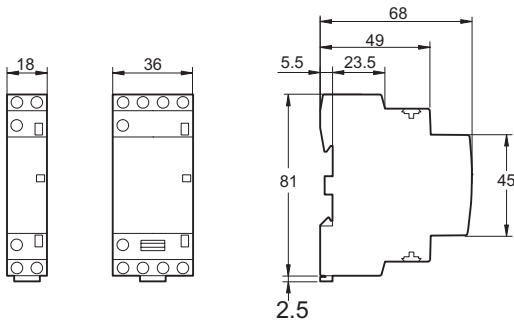
F

## Consumption BCH8 manual control contactor-50Hz

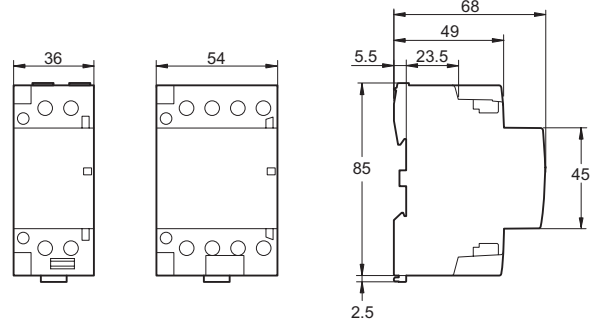
Type	Rating(In)		Control voltage (VAC)(50/60 Hz)	Consumption		Max. power
	AC-7a	AC-7b		Holding	Inrush	
2P	25A	9A	230...240	2.7VA	9.2VA	1.2W
	40A	18A	220...240	4.6VA	34VA	1.6W
	63A	25A	220...240	4.6VA	34VA	1.6W
4P	25A	9A	220...240	4.6VA	34VA	1.6W
	40A	18A	220...240	6.5VA	53VA	2.1W
	63A	25A	220...240	6.5VA	53VA	2.1W

# BCH8 Modular Contactor

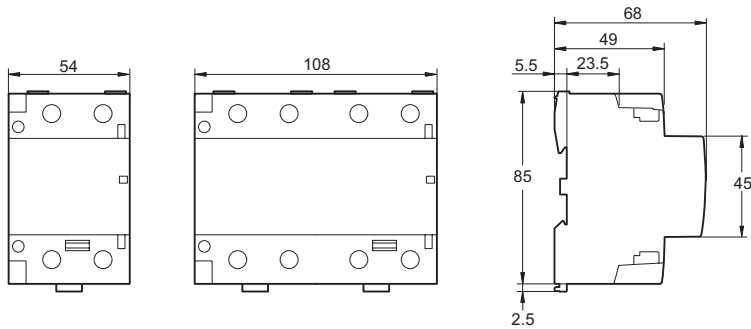
Dimensions(mm)



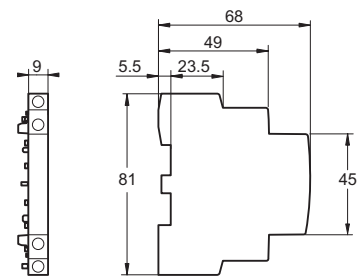
BCH8-16/20/25A



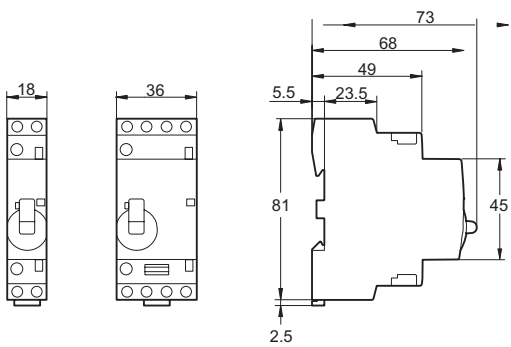
BCH8 32/40/63A



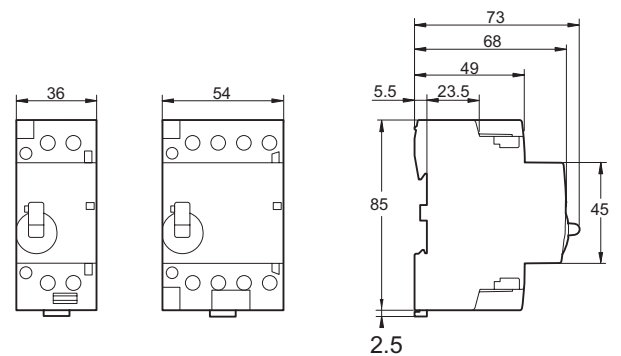
BCH8 100A



BACTs



BCH8 manual control contactor 16/20/25A



BCH8 manual control contactor 32/40/63A

F